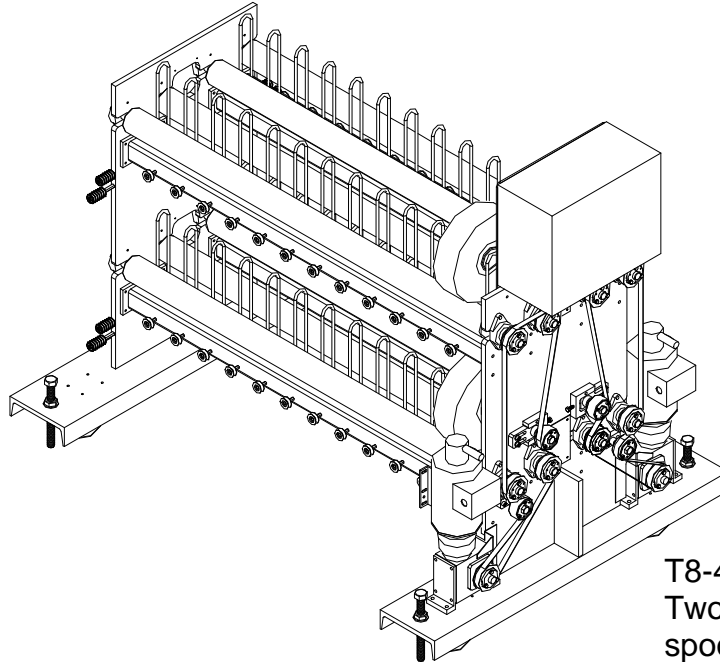


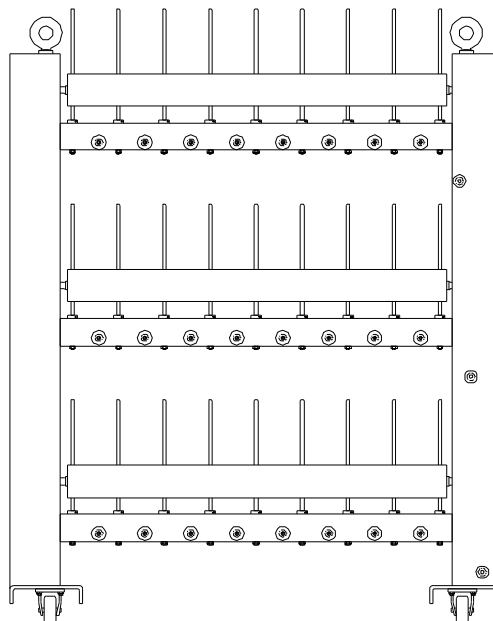
## T8 AND T4 SERIES LARGE CAPACITY UNWIND SYSTEMS

The **T8 - Series** is designed with multiple tiers, each with two parallel sets of thread spools per tier. The **T8 - Series** has two drives and requires operator access from each side.



T8-48 spool capacity.  
Two tiers of twelve  
spools each side.

The standard **T4 - Series** can be configured as a three and four tier system to provide large spool capacities.



T4-24 spool capacity.  
Three tiers of eight  
spools.